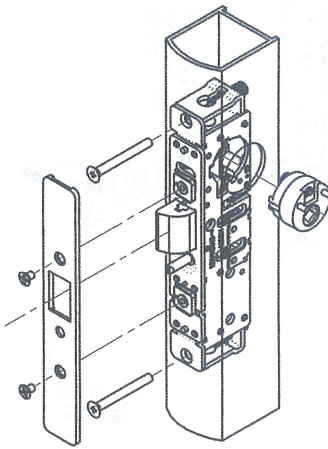


Figure 1:



7070N

This 7070N is a retro fit to replace the key cylinder on your Adams Rite LATCH style door lock. This is only intended to replace the cylinder. If you need the latch or push paddle, you will need to order additional parts.

Mounting Instructions For 7070N Adams Rite Retro fit

- 1). Take out keyed cylinder and replace with the 4580 cylinder, as per instructions for the Adams Rite 4580 mounting guide. Be sure to hand door to right or left.
- 2). After the 4580 Adams Rite cylinder has been installed place the square tail piece into the 4580. *Note: A right hand and left hand tail piece are supplied. For your application, use the tail piece that is closest to the 6:00; 12:00 position or the most vertical position. See Figure 2.*
- 3). After proper tail piece is in place, place the metal trim plate onto door, over the tail piece. Place tail piece center into the center round hole. When trim plate is centered to tail piece mark top and bottom hole with pencil. After holes are marked, drill holes with a 3/8" drill bit. (Note: Do not drill all the way through, rather only through the first wall of door frame.) When holes are drilled in top and bottom of the first wall of outside door post, change your drill bit to a 1/4" drill bit and continue through the inside wall of door post.
- 4). When holes are drilled through door, remove the 2 alignment pins on the 4580. See fig: 3

Figure 2: Tail Piece Position



Now you are ready to install the combination lock.

Figure 3: 4580 Cylinder
Remove 2 pins

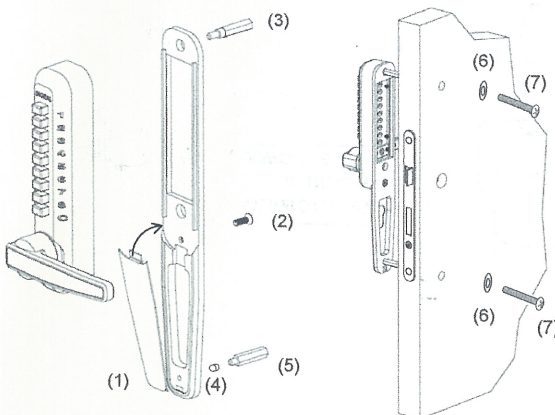


To mount lock to the trim place these (7) easy steps must be followed (Fig. 4):

1. Place trim plate cover to bottom of trim plate position #1
2. Place combination lock to trim plate
3. Place m5 x 5/8" screw to bottom of lock #2
4. Place gold hex screw to top hole in lock #3
5. Place silver spacer ring #4 to short silver hex screw #5 and place into bottom hole in trim plate
6. Make sure handing and combination are set
7. Place digital door lock and trim plate to the door. Make sure tail piece is not too long. If lock bottoms out over the tail piece, you may need to break off the perforated end of tail piece to shorten.

Note: Be sure that the lock and mounting plate is centered over tail piece. It is important that it is mounted very straight. When mounting lock and tail piece is not loose fitting, lock may bind and not work freely.

Figure 4:



8. Place finish washers (#6) to M 4 x 1 1/4" mounting screws (#7).
9. Screw lock into place.

NOTE: TEST LOCK MANY TIMES BEFORE LOCKING THE DOOR TO MAKE SURE LOCK IS SET PROPERLY.

If after pushing the combination and pushing on the lever and the latch does not retract all the way in, you may need to switch the tail piece and test the opposite hand and test.